

GPT SERIES GENERAL PURPOSE TRANSFORMERS

SINGLE PHASE • 60 HERTZ • 600 VOLT CLASS • 150°C RISE/220°C CLASS • NEMA 1 ENCLOSED						
KVA	CAT NO.*	DIMENSIONS IN INCHES**			APPROX. WT. LBS.	TYPE*** MOUNTING
		H	W	D		
3.0	G10003PSF6	14.25	8.38	9.88	60	Wall
5.0	G10005PSF6	15.38	8.38	9.88	90	Wall
7.5	G10007PSF6	16.75	8.38	9.88	110	Wall
10.0	G10010PSH6	23.63	19.5	18	140	Floor/Wall
15.0	G10015PSH6	29.5	20.75	18.75	155	Floor (W)
25.0	G10025PSH6	29.5	20.75	18.75	210	Floor (W)
37.5	G10037PSH6	29.5	20.75	18.75	270	Floor (W)
50.0	G10050PSH6	33.75	24	19.75	345	Floor (W)
75.0	G10075PSH6	41	30	25	410	Floor
100.0	G10110PSH6	41	30	25	530	Floor
167.0	G10116PSH6	41	30	25	725	Floor

- Standard Primary and Secondary Voltages available. (Insert code number listed for the respective letter in catalog number.)

PS VOLTAGE CODE NO.	PRIMARY VOLTAGE	PRIMARY TAPS ¹	SECONDARY VOLTAGE
3 - 15 KVA			
11	240x480	None	120/240
21	208	(4)-2.5%	120/240
31	277	(4)-2.5%	120/240
41	480	(4)-2.5%	120/240
51	600	(4)-2.5%	120/240
25 - 167 KVA			
61	240x480	(2)+(4)-2.5% ²	120/240
51	600	(4)-2.5%	120/240

- 1) Plus (+) & Minus (-) taps are FCAN and FCBN respectively (Full Capacity Above and Below Nominal).
- 2) Tap configuration shown is for 480V. Taps on the 240V winding are (1)+(2)-5%.

Lower Temperature Rise Option available at slight extra cost. (Replace letter in next to last field of catalog number with code letter listed for desired temperature rise).

Temp. Rise/Insulation Class	Code Letter
110°C Rise/220 C Class	F (Standard rise for 3-7.5KVA)
85°C Rise/220 C Class	B

** Dimensions listed are not to be used for construction purposes.

*** 3-7.5KVA units are designed for wall mounting. 10 KVA units can be either floor or wall mounted. Standard units above 10 KVA are designed for floor mounting. Wall mounting brackets are available thru 50 KVA at slight extra cost.

THREE PHASE • 60 HERTZ • 600 VOLT CLASS • 150°C RISE/220°C CLASS • NEMA 1 ENCLOSED						
KVA	CAT NO.*	DIMENSIONS IN INCHES**			APPROX. WT. LBS.	TYPE*** MOUNTING
		H	W	D		
3.0	G30003PSF6	16	15	14	100	Floor/Wall
6.0	G30006PSF6	16	15	14	125	Floor/Wall
9.0	G30009PSF6	23.63	19.5	18	145	Floor/Wall
15.0	G30015PSH6	23.63	19.5	18	170	Floor/Wall
25.0	G30025PSH6	29.5	20.75	18.75	230	Floor (W)
30.0	G30030PSH6	29.5	20.75	18.75	265	Floor (W)
37.5	G30037PSH6	29.5	20.75	18.75	310	Floor (W)
45.0	G30045PSH6	29.5	20.75	18.75	340	Floor (W)
50.0	G30050PSH6	29.5	20.75	18.75	380	Floor (W)
75.0	G30075PSH6	33.75	24	19.75	460	Floor (W)
112.5	G30111PSH6	41	30	25	750	Floor
150.0	G30115PSH6	41	30	25	1000	Floor
225.0	G30122PSH6	48	48	32	1225	Floor
300.0	G30130PSH6	48	48	32	1750	Floor
400.0	G30140PSH6	60	54	40	2200	Floor
500.0	G30150PSH6	60	54	40	2600	Floor
750.0	G30175PSH6	72	60	48	3800	Floor
1000.0	G30210PSH6	90	72	60	5200	Floor

- Standard Primary and Secondary Voltages available. (Insert code number listed for the respective letter in catalog number.)

PS VOLTAGE CODE NO.	PRIMARY VOLTAGE	PRIMARY TAPS ¹	SECONDARY VOLTAGE
3 - 15 KVA			
11	240Δ	(2) - 5%	208Y/120
21	480Δ	(2) - 5%	208Y/120
22	480Δ	(2) - 5%	240Δ ⁴
31	600Δ	(2) - 5%	208Y/120
25 - 1000 KVA			
41	240Δ	(4) - 2.5% ³	208Y/120
51	480Δ	(2) + (4) - 2.5%	208Y/120
52	480Δ	(2) + (4) - 2.5%	240Δ ⁴
53	480Δ	(2) + (4) - 2.5%	480Y/277
61	600Δ	(2) + (4) - 2.5%	208Y/120

Note: 25, 37.5 and 50 KVA units are available with Voltage Code 51 and 53 only.

1) Plus (+) & minus (-) taps are FCAN and FCBN respectively (Full Capacity Above and Below Nominal).

3) Tap configuration is for 25-150 KVA. Larger units have (2)-5% taps.

4) Center tapped 120 V secondary available at slight additional cost. The tap is on one phase with a 5% maximum capacity rating.

Lower Temperature Rise Option available at slight extra cost. (Replace letter in next to last field of catalog number with code letter listed for desired temperature rise).

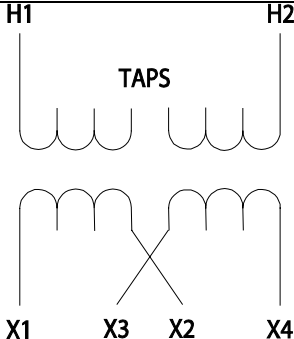
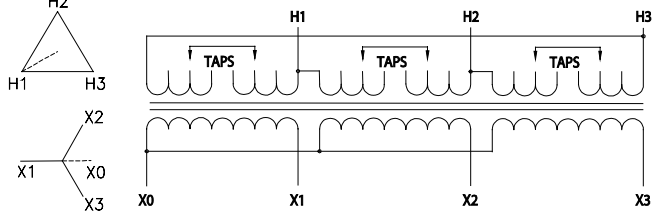
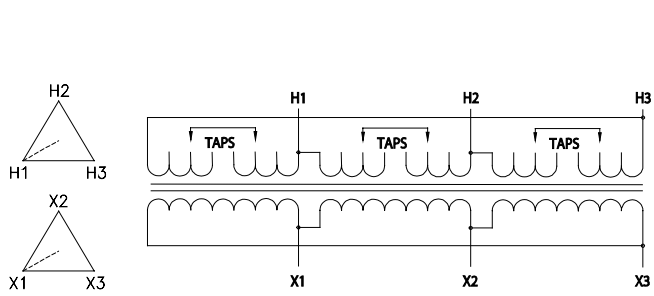
Temp. Rise/Insulation Class	Code Letter
110°C Rise/220 C Class	F (Standard rise for 3, 6, & 9 KVA)
85°C Rise/220 C Class	B

** Dimensions listed are not to be used for construction purposes.

*** 3-15 KVA units can be either floor or wall mounted. Standard units above 15 KVA are designed for floor mounting. Wall mounting brackets are available thru 75 KVA at slight extra cost.

GPT SERIES GENERAL PURPOSE TRANSFORMERS

CONNECTION DIAGRAMS

	PS CODE	PRIMARY VOLTAGE & TAPS ¹	CONN. TABLE	SECONDARY VOLTAGE	SCHEMATIC
1PH	11	240 X 480V	A	120/240V	
	21	208V (4) - 2.5%	B		
	31	277V (4) - 2.5%	B		
	41	480V (4) - 2.5%	B		
	51	600V (4) - 2.5%	B		
	61	240 x 480V (2) + (4) - 2.5% ²	C		
3PH	11	240V (2) - 5%	D	208Y/120	
	21	480V (2) - 5%			
	31	600V (2) - 5%			
	41	240V (4) - 2.5% ³			
	51	480V (2) + (4) - 2.5%	E		
	61	600V (2) + (4) - 2.5%	E		
	53	480V (2) + (4) - 2.5%	E	480Y/277	
	22	480V (2) - 5%	D	240Δ	
52	480V (2) + (4) - 2.5%	E			

PRIMARY CONNECTION TABLES

A

CONNECT	VOLTAGE
1-2	480
1-H2 & 2-H1	240

B

CONNECT	VOLTAGE
2-1	100%
2-3	97.5%
4-1	95%
4-3	92.5%
4-5	90%

C

CONNECT	VOLTAGE	
1-2	105%	480V
1-4	102.5%	
3-4	100%	
3-6	97.5%	
5-6	95%	
5-8	92.5%	
7-8	90%	240V
1-H2 & 2-H1	105%	
3-H2 & 4-H1	100%	
5-H2 & 6-H1	95%	
7-H2 & 8-H1	90%	

D

CONNECT	VOLTAGE
1-2	100%
2-3	95%
3-4	90%

E

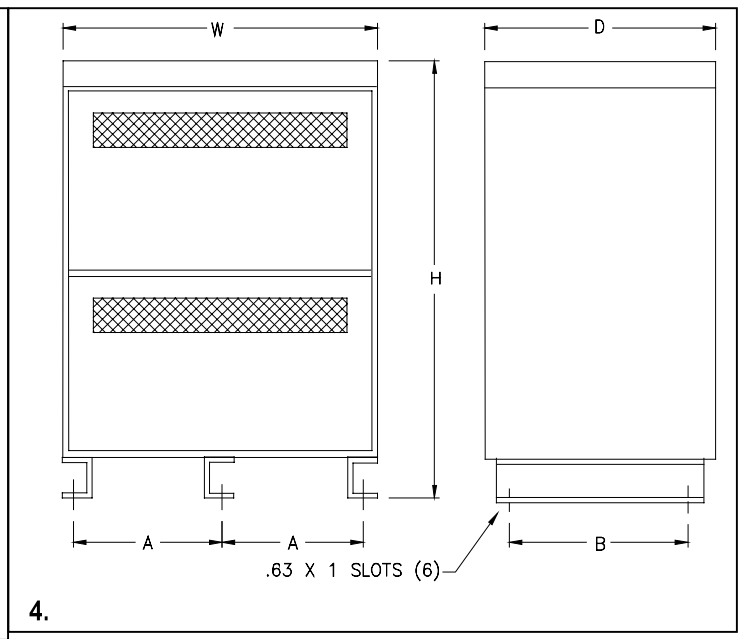
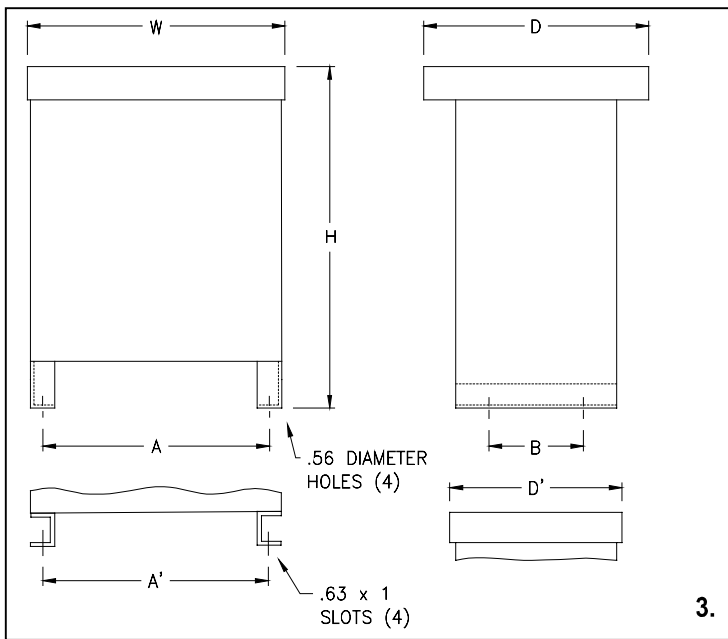
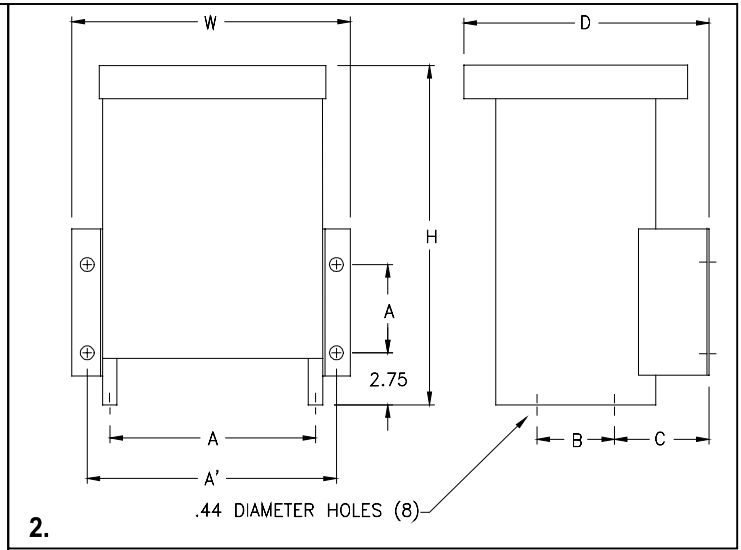
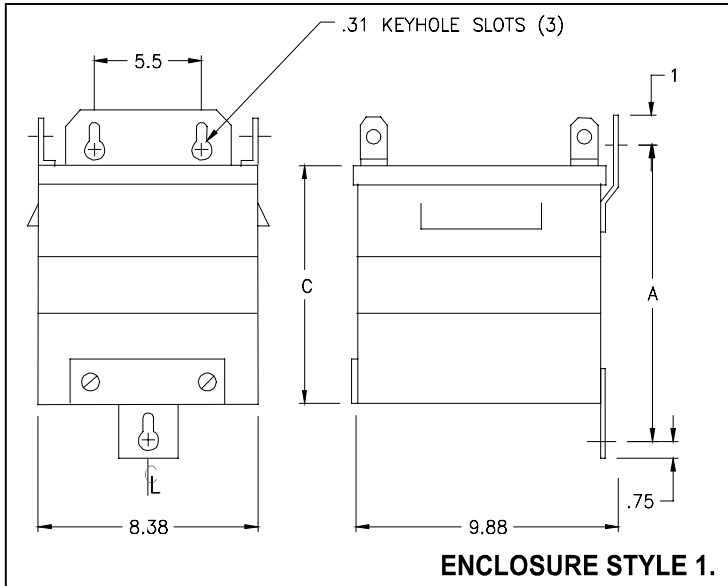
CONNECT	VOLTAGE
1-2	105%
1-4	102.5%
3-2	100%
3-4	97.5%
3-6	95%
5-4	92.5%
5-6	90%

Notes:

- 1- Plus (+) and minus (-) taps are FCAN and FCBN respectively (Full Capacity Above and Below Nominal).
- 2- Tap configuration shown is for 480V only. Taps on the 240V winding are (1) + (2) - 5%
- 3- Tap configuration is for 25-150 KVA. Larger units have (2) - 5% taps with connection table D.

GPT SERIES GENERAL PURPOSE TRANSFORMERS

ENCLOSURE DATA



ISOLATION KVA RANGE vs. TEMPERATURE RISE (°C)						ENCL. STYLE	DIMENSIONS							
1Φ KVA 150° RISE	1Φ KVA 110° RISE	1Φ KVA 85° RISE	3Φ KVA 150° RISE	3Φ KVA 110° RISE	3Φ KVA 85° RISE		H	W	D	D'	A	B	A'	B'
	3					1				12.5				10.5
	5	3				1				13.63				11.63
	7.5	5				1				15				13
				3-6	3	2	16	15	14	11	8	13.5	7.5	3.5
10		7.5	15	9	6-9	2	23.63	19.5	18	15.5	9	18.5	10.5	5.5
15-37.5	10-25	10-25	25-50	15-37.5	15-30	3	29.5	20.75	18.75	19	11.5			
50	37.5		75	45-50	37.5-50	3	33.75	24	19.75	22.25	12.5			
75-167	50-100	37.5-100	112-150	75-112	75	3	41	30	25	27	18			
			225-300	150-225	112-150	3	48	48		32	29.5	46		
			400-500	300-400	225-300	3	60	54		40	37.5	52		
			750	500	400-500	4	72	60	48	28	43			
1000	750		4	90	72	60		34	55					